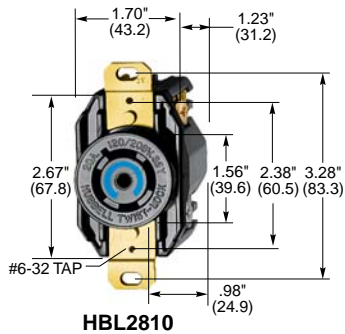


## TWIST-LOCK® Devices

### 4 Pole, 5 Wire Grounding

30 Ampere, 3Ø Y 120/208, 277/480 and 347/600 Volts AC

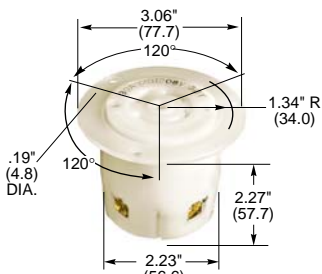
Receptacles, INSULGRIP® Connector Bodies, Flanged Devices and Plugs



**HBL2810**



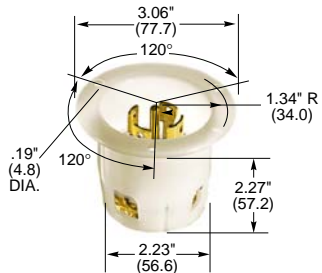
**HBL2813**



**HBL2816**



**HBL2811**



**HBL2815**



NEMA L21-30R  
30A 3ØY  
120/208V AC  
UL/CSA  
3 HP



NEMA L22-30R  
30A 3ØY  
277/480V AC  
UL/CSA  
10 HP



NEMA L23-30R  
30A 3ØY  
347/600V AC  
UL/CSA

### Single Flush Receptacles, Back and Side Wired

Description	Catalog Numbers		
Black nylon face.	<b>HBL2810</b>	<b>HBL2820</b>	<b>HBL2830</b>
Isolated ground, orange nylon face.	<b>IG2810</b>	-	-

### Insulgrip Connector Bodies IP20 SUITABILITY

Description	Catalog Numbers		
Black and white nylon.	<b>HBL2813</b>	<b>HBL2823</b>	<b>HBL2833</b>
Corrosion resistant, yellow nylon.	<b>HBL28CM13</b>	-	-

Note: Cord grip range .35"-1.15" (9-29).

### Insulgrip Flanged Receptacles

Description	Catalog Numbers		
Nylon casing, back wired.	<b>HBL2816</b>	<b>HBL2826</b>	<b>HBL2836</b>



NEMA L21-30P  
30A 3ØY  
120/208V AC  
UL/CSA  
3 HP



NEMA L22-30P  
30A 3ØY  
277/480V AC  
UL/CSA  
10 HP



NEMA L23-30P  
30A 3ØY  
347/600V AC  
UL/CSA

### Insulgrip Plugs IP20 SUITABILITY

Description	Catalog Numbers		
Black and white nylon.	<b>HBL2811</b>	<b>HBL2821</b>	<b>HBL2831</b>
Corrosion resistant, yellow nylon.	<b>HBL28CM11</b>	-	-

Notes: Grip range .35"-1.15" (9-29).

See page B-73 for Add-A-Shroud™ kit.

### Insulgrip Flanged Inlets

Description	Catalog Numbers		
Nylon casing, back wired.	<b>HBL2815</b>	<b>HBL2825</b>	<b>HBL2835</b>

Notes: Only receptacles and plugs 480V AC or less are HP rated.

HP rating are AC only.

See pages B-70 and B-71 for accessories.

For technical information see page B-83.

See page B-63 for a switched enclosure.